

CRONO

Plus

Digital Chronometer for Rally and Circuit

The CRONO PLUS digital chronometer is a highly technological and flexible product, ideal for usage in rally, circuit or historic race.

Two operating mode :

- Stop watch, with manual (by pressing the buttons) or automatic trigger (using the trackside 99 channels optical beacon to update the lap time).
The internal non-volatile memory can hold up to 50 lap times.
 - Timer with presettable starting time
- Max measuring time value is 10 hours with 0,01 sec. accuracy.

13 mm display with intensity control :

- High intensity for daylight
- Low intensity for night vision

Chronometer :
accuracy : 0,01 sec
max time : 10 hours

Beep on every lap triggered

On/Off Switch

Connector to Optic sensor :
recognizes the light beam coming from the trackside beacon

RUN indication led

Preset mode indication led

Power Source :
9-14 Vdc (from External Battery)
9 Vdc (from Internal Battery)

Low Battery Warning

START/STOP
starts or stops the chronometer

TIME/RESET
Holds the displayed value or resets the chronometer

LAP
trigger a lap time same as the trackside beacon signal

MODE
switches from normal operation (chrono) to Preset mode or Memory display (stored data)

Display data

RALLY
- Total and intermediate time

1:25.43.54

CIRCUIT
- Lap Number
- Lap Time

7 3.43.54

CRONO Plus

Distributed by : TECNO2 S.r.l.
Via Roma,40
10099 S.Mauro Torinese (TO) - ITALY
WWW.TECNO2.IT

CRONO

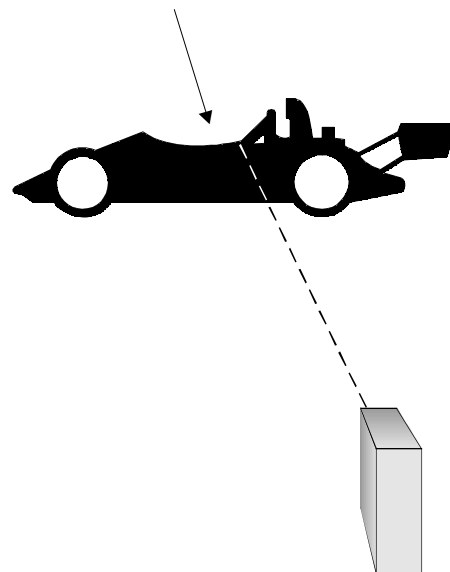
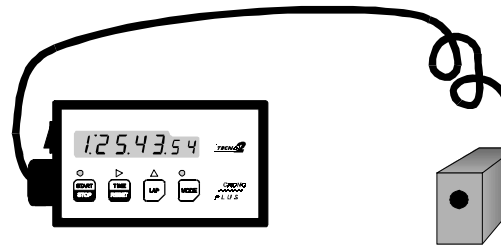
Plus

ITEMS

- Max Time : 10 Hour
- Accuracy : 0,01 sec.
- Functions :
 - Lap Time
(beep on every lap triggered)
 - Intermediate Time
 - Timer with presettable starting time
(beep on end of time)
- Memory : 50 laps
- High or Low display intensity
- Mode :
 - Manual (by keys)
 - Auto (with trackside beacon)

How to use with the trackside beacon

When the car passes the beacon the chronometer shows the lap time and stores it in the memory.
You can choose one of the 99 different channels, to prevent the system being triggered by other beacon.



Features

- Weight : 200 g.
- Display Dimensions: 145 x 85 x 30 mm.
- Sensor dimensions: 50 x 90 x 25 mm.
- Display-sensor cable: 300 cm.
- Installation : Easily installed with screws or velcro strip
- Power Source : 9 - 14 Vdc
(from External Battery)
9 Vdc
(from Internal Battery)
- Display : 7 Digit display with intensity control :
 - High intensity for daylight
 - Low intensity for night vision
- I/O : - Optic LAP Sensor

CRONO Plus